

**Ratings:**

Current 10A  
 Voltage 300 V  
 Wire Size 30-16AWG  
 Test Voltage 1.25 kV  
 Rated Torque / Screw Size 0.4Nm / M2

**Rated Cross Section:**

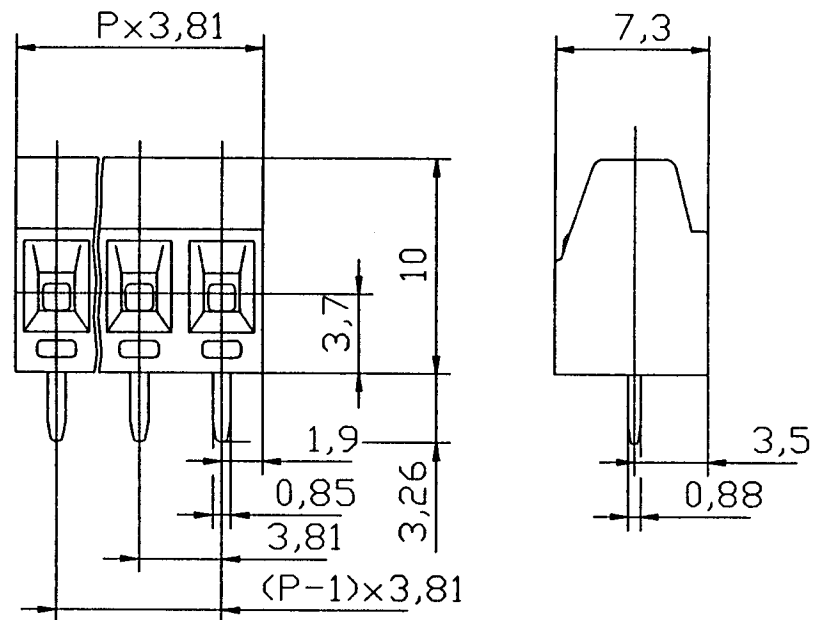
Single Wire (solid) 1.5mm<sup>2</sup>  
 Stranded Wire (flexible) 1.0mm<sup>2</sup>  
 Stranded Wire with Ferrules 0.5mm<sup>2</sup>

**Dimensions:**

Spacing 3.81mm  
 PCB Hole Diameter 1.1mm  
 Stripped Length 5.0mm

**Materials:**

Insulating Material PA  
 Flammability UL94V-0  
 Temperature -30°C/+105°C  
 Block CuZn  
 Wire Guard Cu  
 Color Green



ON - SHORE TECHNOLOGY, INC.

Part Number

EDZ602/\*\*

\* - NUMBER OF POSITIONS

Units

mm

Drawing

Reviewed

Approved

Date

1/16/99

Sheet 1 of 1