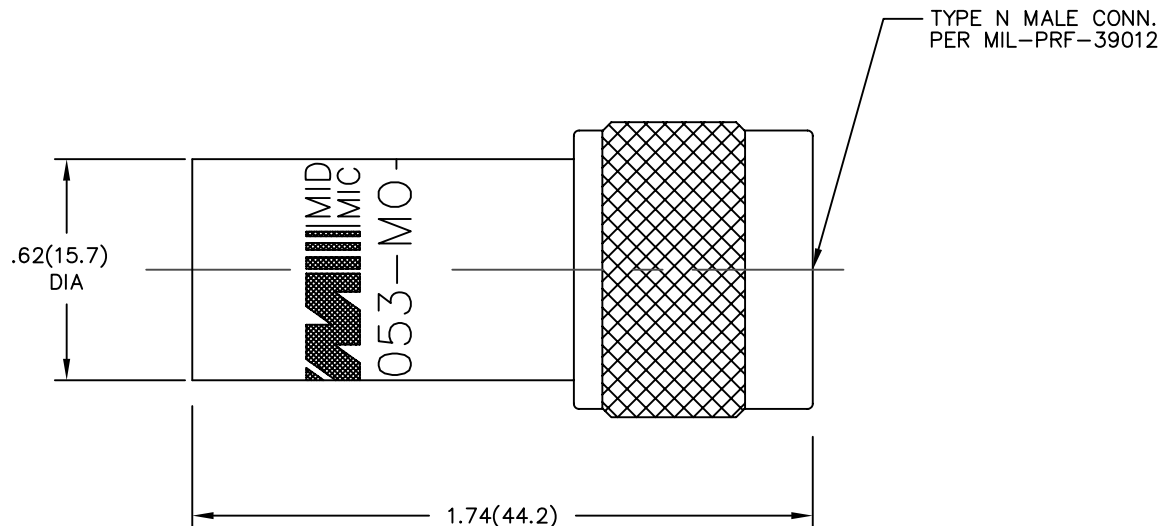


NOTES:

- 1.0 ELECTRICAL SPECIFICATIONS
 - 1.1 FREQUENCY RANGE: DC to 12.4 GHz
 - 1.2 MAXIMUM INPUT POWER:
 - AT +25°C: 2 WATTS
 - AT +125°C: 0.5 WATTS
 - 1.3 OPERATING TEMPERATURE RANGE:
 - 55°C to +125°C
 - 1.4 IMPEDANCE: 50 OHMS
 - 1.5 MAXIMUM VSWR:
 - DC to 4.0 GHz: 1.07:1
 - 4.0 to 12.4 GHz: 1.12:1
- 2.0 MARK UNIT AS SHOWN.
REF: INK-02611-27-13
- 3.0 DIMENSIONS IN PARENTHESIS ARE MILLIMETERS.



MODEL NUMBER
 TRM-2053-MO-NNN-02

DWG NO. WAS: 02354-01-00

REV.	DESCRIPTION	DATE
-	RELEASED	3/21/79
A	ECR 6545	6/27/89
A1	REDRAW ON CAD-UPDATE	7/31/91
	MARKING, ADD SPECS	
B	ECN 12868	8/23/93
C	ECN 13622	5/16/94
C1	ADDED TITLEBLOCK	10/26/05

NOTICE: The information contained in this drawing is proprietary and must not be used without the permission of Emerson Network Power. UNLESS OTHERWISE NOTED DIMENSIONS ARE IN INCHES AND TOLERANCES ARE: 3 PLACE DECIMALS ±.005 2 PLACE DECIMALS ±.02 FRACTIONS ±1/64 PARALLELITY: T.I.R. FLATNESS: T.I.R. CONCENTRICITY: T.I.R. ANGLES AND PERPENDICULARITY: ±1°	CHG CODE 34078	MIDWEST MICROWAVE		
			TITLE TERMINATION OUTLINE DRAWING	
	DRAWN/DATE A. BEATTY 7/31/91	ENG/DATE G. KOZAK 7/31/91	DRAWING NUMBER TRM-2053-MO-NNN-02-01	REV. C1
	CHECKED/DATE C. RIGGE 7/31/91	APPROVED/DATE	SCALE: 5=1	SHEET 1 of 1