

THIS DRAWING IS UNPUBLISHED.

RELEASED FOR PUBLICATION

ALL RIGHTS RESERVED.

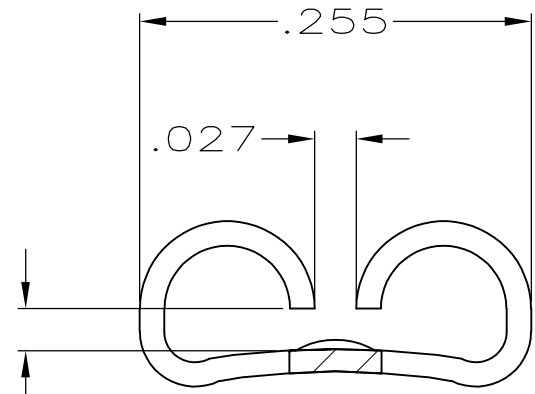
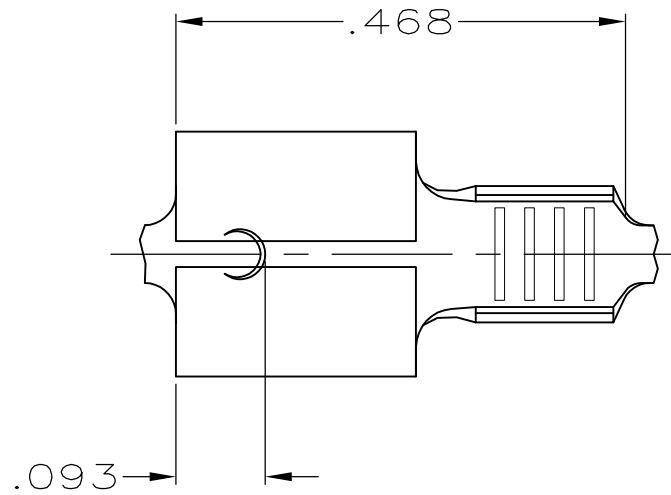
© COPYRIGHT - By -

LOC AF DIST 50

REVISIONS

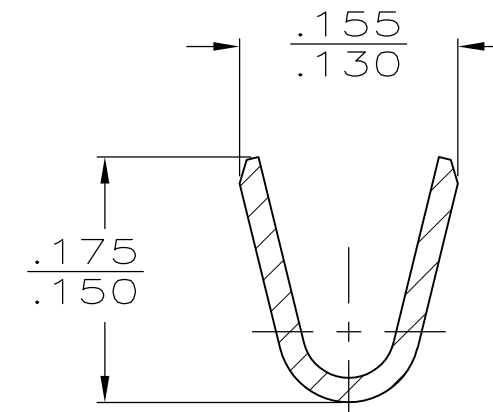
P	LTR	DESCRIPTION	DATE	DWN	APVD
	R	REVISED PER ECR-12-013445	18OCT12	KH	PD

- 1 CONTINUOUS STRIP ON REELS.
- 2 FEED TO BE $.530 \pm .005$

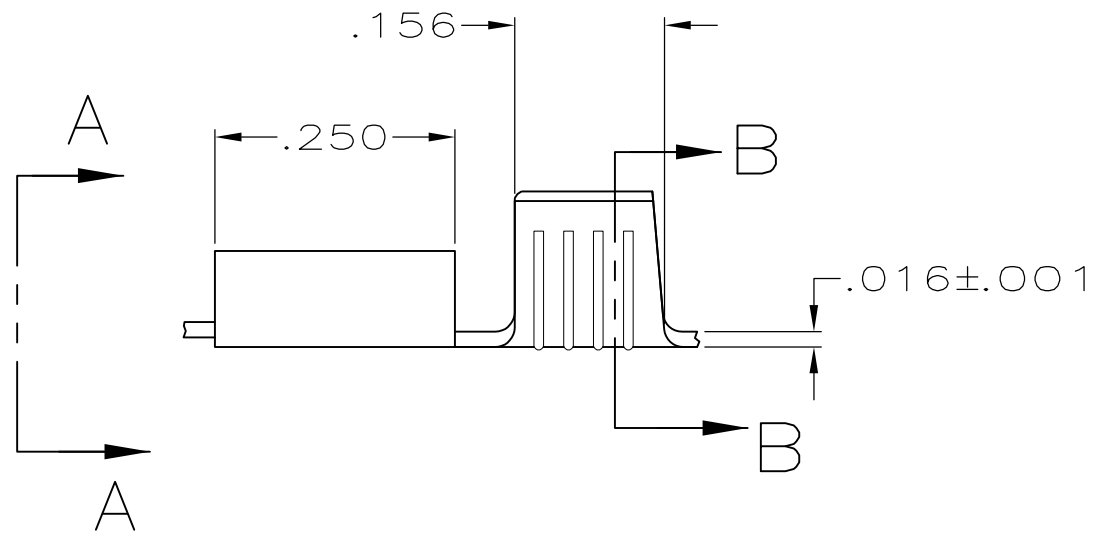


FITS .205 SERIES FASTON TAB


VIEW A-A SCALE 8:1



SECTION B-B SCALE 8:1



18-14	.032	41509
WIRE SIZE	MATING TAB THK $\pm .001$	PART NO

THIS DRAWING IS A CONTROLLED DOCUMENT.		DWN JR RUTH 6/14/91	 TE Connectivity RECEPTACLE, FASTON, .205 SERIES				
DIMENSIONS: INCHES		CHK MS FEHER 6/14/91				NAME	
TOLERANCES UNLESS OTHERWISE SPECIFIED:		APVD C MEYERS 6/14/91				SIZE	
0 PLC $\pm -$ 1 PLC $\pm -$ 2 PLC $\pm -$ 3 PLC $\pm .015$ 4 PLC $\pm -$ ANGLES $\pm -$		PRODUCT SPEC				CAGE CODE	
MATERIAL BRASS		FINISH TIN	APPLICATION SPEC	DRAWING NO			
		WEIGHT -	A300779		RESTRICTED TO -		
		CUSTOMER DRAWING	G-41509		SCALE 5:1		
			SHEET 1 OF 1		REV R		