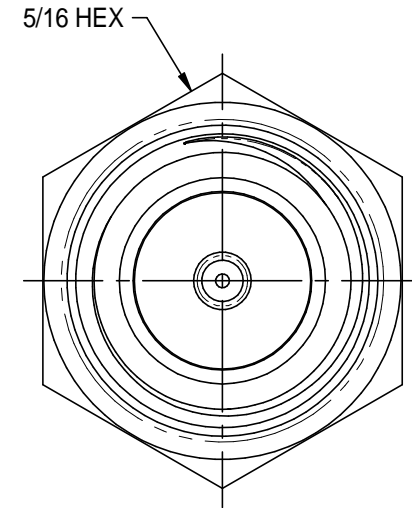
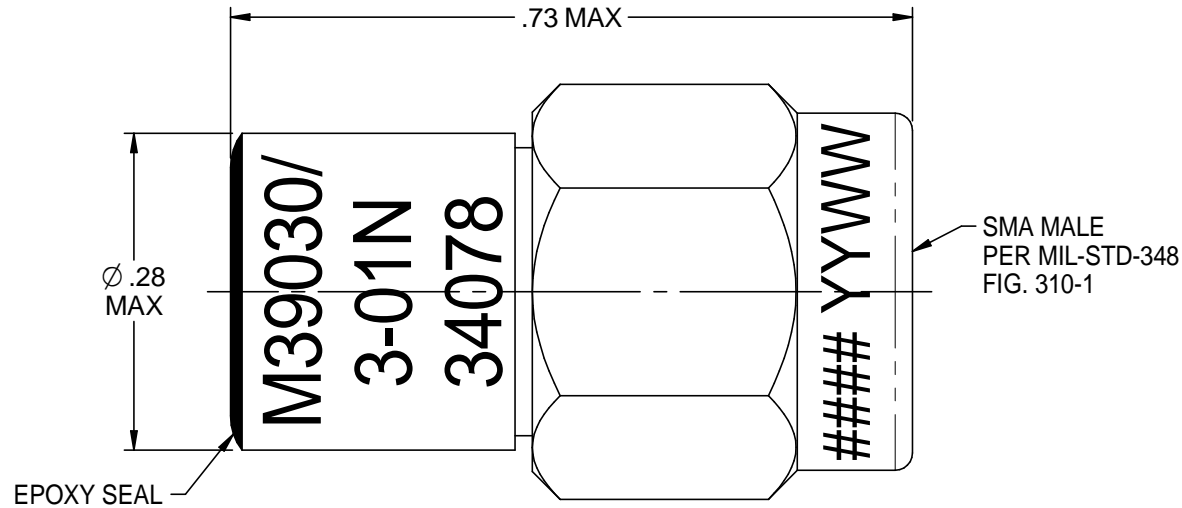
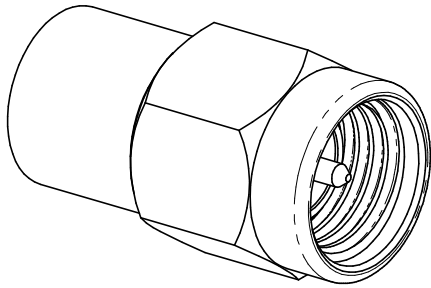


REV	ECO	DATE
F1	ADD TB	7/7/2005
F2	23000	12/9/2010
G	25324	5/1/2015



M39030/3-01N SHOWN

NOTES: UNLESS OTHERWISE SPECIFIED.

1. MATERIAL & FINISH:

- 1.1 BODY: GOLD PLATED STAINLESS STEEL
- 1.2 DIELECTRIC: PTFE (TEFLON)
- 1.3 CENTER CONTACT: GOLD PLATED BERYLLIUM COPPER
- 1.4 GASKET: SILICONE RUBBER

2. SPECIFICATIONS:

- 2.1 FREQUENCY RANGE: DC - 18 GHz
- 2.2 IMPEDANCE: 50 OHMS
- 2.3 VSWR (MAX): 1.05+0.01f (GHz)
- 2.4 POWER HANDLING CAPABILITY:
  - 2.4.1 AVERAGE: 0.5 WATTS MAX AT 25°C DERATED LINEARLY TO 0.125 WATTS AT 125°C
  - 2.4.2 PEAK: 50 WATTS WITH A 1% DUTY CYCLE
- 2.5 OPERATING TEMPERATURE RANGE: -55°C TO 125°C
- 2.6 WEIGHT (MAX): .25 oz

<p>This PROPRIETARY Document is property of Cinch Connectivity Solutions. It is confidential in nature, non-transferable, and issued with the clear understanding that it is not traced or copied without permission and is returnable upon demand.</p> <p>INTERPRET DRAWING IN ACCORDANCE WITH ASME Y14.5-2009.</p>	Model No. <b>M39030/3-01(N OR S)</b>	<b>MIDWEST MICROWAVE</b>			
	RoHS2 <input checked="" type="checkbox"/> 2011/65/EU	Cage Code <b>34078</b>	Title: <b>QPL TERMINATION</b>		
	UNLESS OTHERWISE SPECIFIED UNITS: INCH	3RD ANGLE PROJECTION 	Drawing No. <b>M39030/3-01(N OR S)-01</b>	Rev. <b>G</b>	
	Drawn by: <b>C. WALLACE</b>	Date: <b>5/7/2015</b>	Size <b>A</b>	DO NOT SCALE DRAWING	Workmanship Std: <b>NONE</b>